

Submittal Data

Job Data _____ Location _____
 Buyer _____ Buyer PO # _____ Carrier # _____
 Unit Number _____ Model Number _____
 Performance Data Certified By _____ Date _____

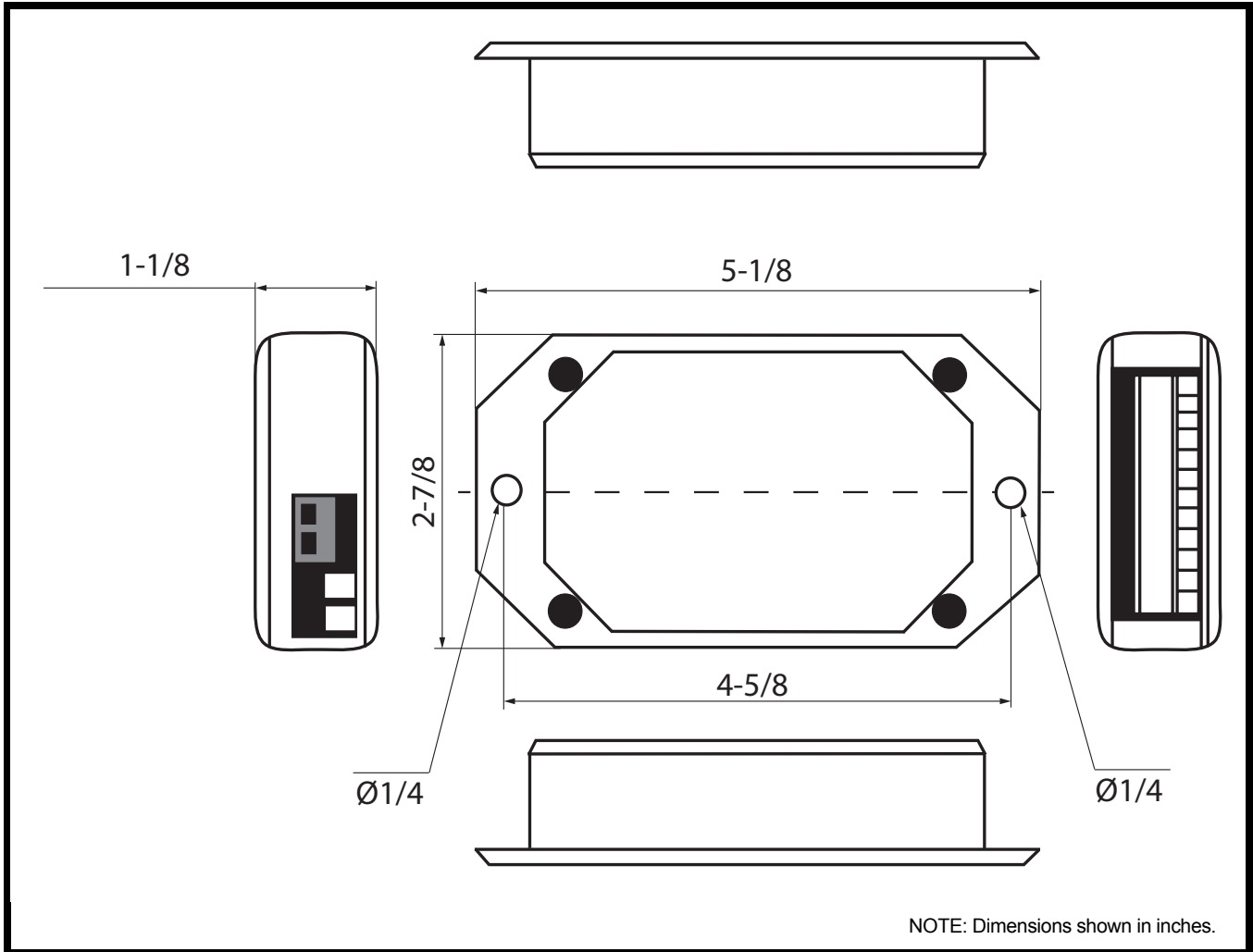


24V Thermostat Interface Features

- Connectable with various 3rd party Thermostat including Carrier COR to VRF (SMMS-e, SHRM-e) and SDI (RAV)
- Provides 3 Fan speed control; - High, - Medium, - Low
- One 24V Thermostat Interface per indoor unit
- Indoor unit modes; - Cooling, - Heating, -Fan, - OFF
- Connection: AB - Remote controller Terminal of indoor units
- Temperature control
 - Auto (Variable capacity)
 - Fixed capacity
- Minimum run time setting
 - 5 minutes
 - 10 minutes

MODEL NAME	TCB-IFTH1GUL	
POWER SUPPLY	24VAC ($\pm 10\%$) 24V Thermostat interface circuit; provided by field procured transformer	
Input Power	W	0.5
DIMENSIONS	Height (in)	1.1
	Width (in)	5.1
	Depth (in)	0.28
NET WEIGHT	lbs	0.25
Operating Current	mA	40
Operating Temperature	°F	32 to 104

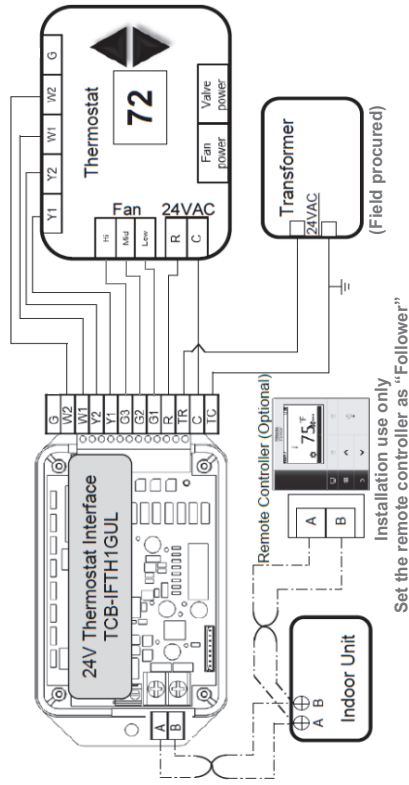
Dimensional Drawing 24V Thermostat Interface TCB-IFTH1GUL



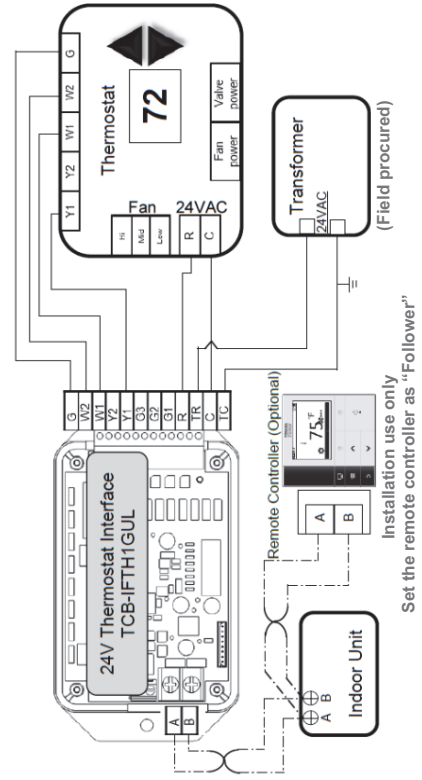
WIRING DIAGRAMS

24V Thermostat Interface TCB-IFTH1GUL

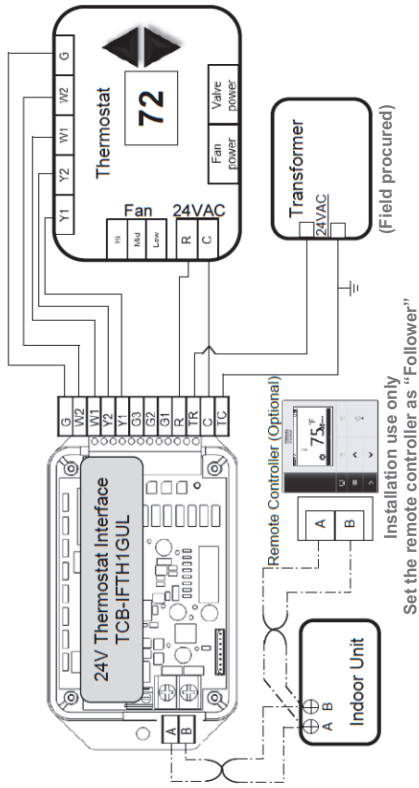
2-Stage Cooling and Heating with 3-Fan Speed



Single-Stage Cooling and 2-Stage Heating



2-Stage Cooling and Heating



Single-Stage Cooling and Heating with Dedicated 3-Fan Speed

