

Wired Remote Controller (With Timer Function)

Model: KSACN0101AAA

Submittal Data

Job Data: _____ Location: _____

Buyer: _____ Buyer P.O. #: _____ Carrier #: _____

Unit Number: _____ Model Number: _____

Performance Data Certified By: _____ Date: _____



Features

- LCD Display
- Malfunction code display
- 5-wire quick connect
- Room temperature display
- °F/°C Convertible
- Clock

Functions

- Mode: Auto-Cool-Dry-Heat-Fan
- Fan Speed: Auto/Low/Med/High speed
- Swing (on some models)
- Timer ON/OFF
- Temperature Setting
- Follow Me Function
- Child Lock

Parts included:

- | | | |
|--|---|--|
| <input type="checkbox"/> Wired Controller | <input type="checkbox"/> Wall Plugs | <input type="checkbox"/> Connection Cable 19 ft (6m) |
| <input type="checkbox"/> Installation and owner's manual | <input type="checkbox"/> Plastic Screw Bars | |
| <input type="checkbox"/> Screws M4X20 | <input type="checkbox"/> Battery | |

Note: Extension wire available through RCD. Part Number: 17401204001601

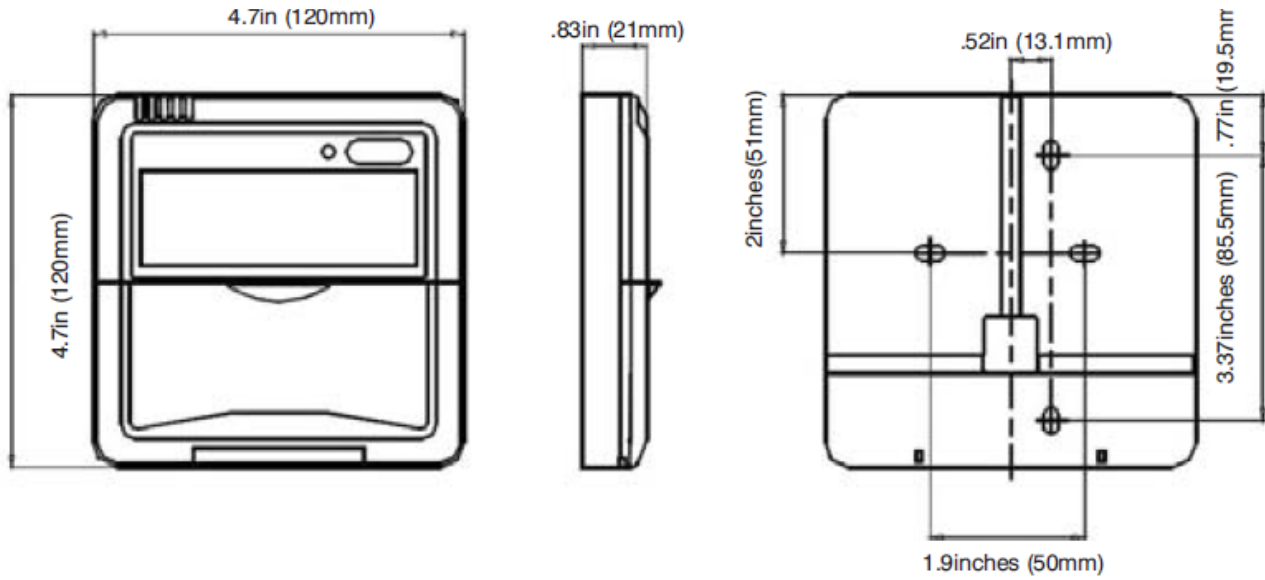
Specification:

Input Voltage	DC 12V
Ambient Temperature	23 ~ 110°F (-5 - 43°C)
Ambient Humidity	40%RH ~ 90%RH

Wiring Specification:

Wiring Type	Size	Maximum Length
Sheathed vinyl cord or cable	16 – 18AWG (0.75 – 1.25MM ²)	164ft (50m)

Construction View KSACN0101AAA



Termination View

