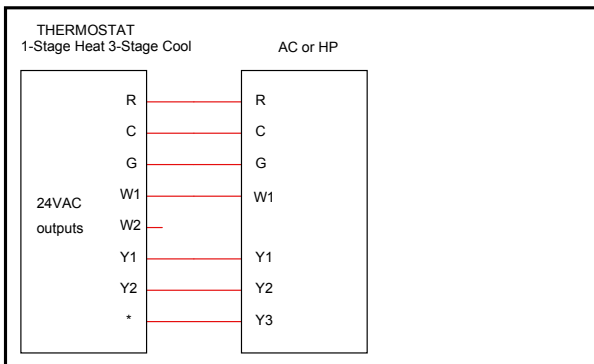
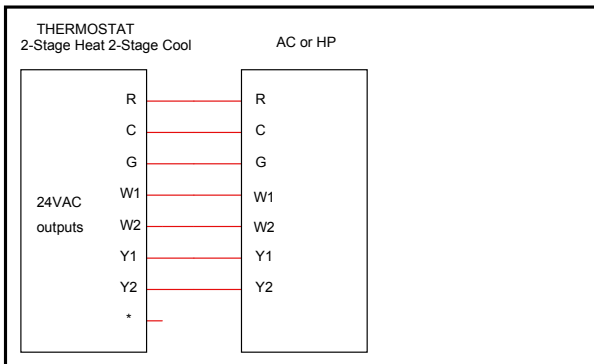
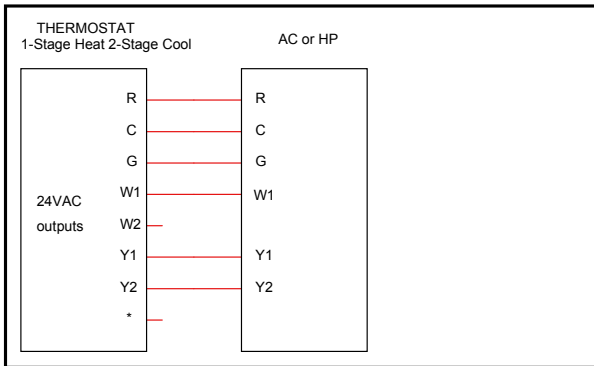
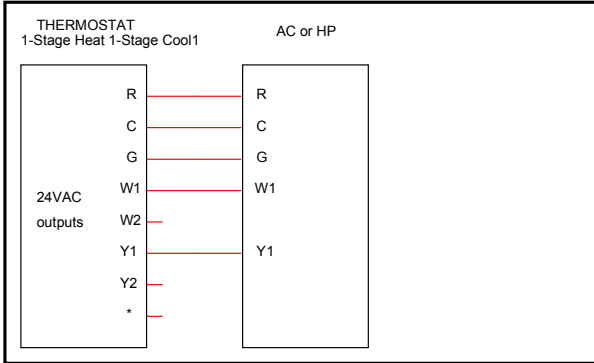


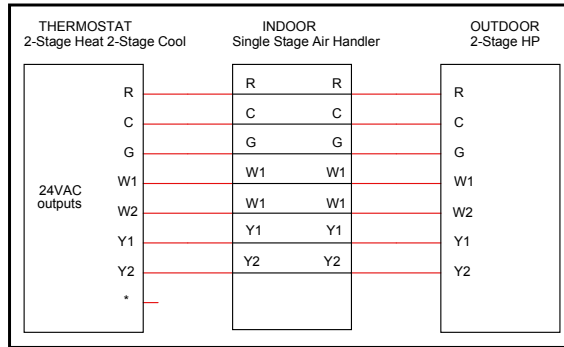
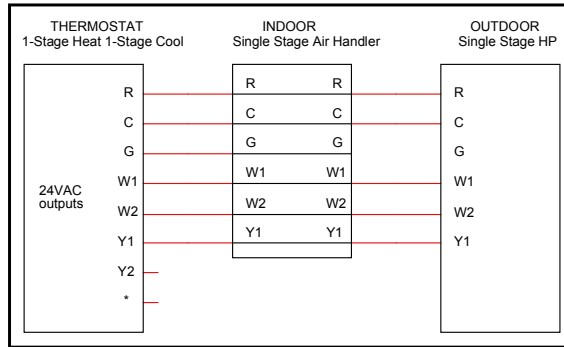
WIRING DIAGRAMS

PACKAGED ROOFTOP

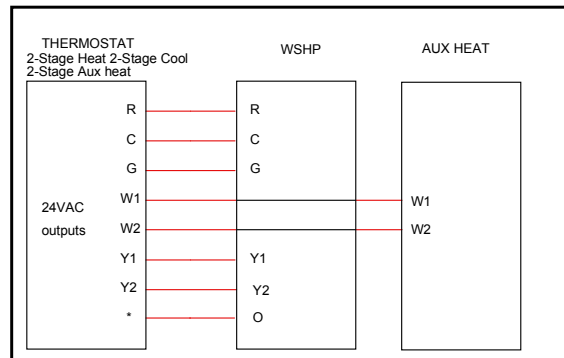
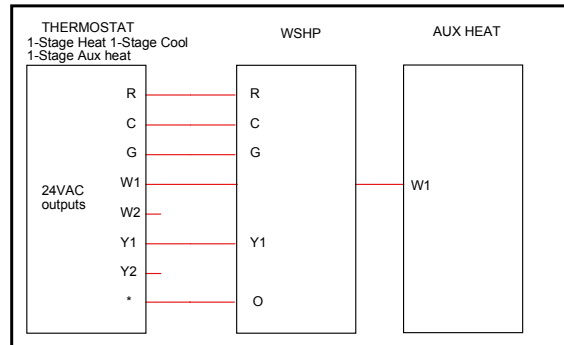


WIRING DIAGRAMS

AIR HANDLER OR DX FAN COIL / HEATPUMP SYSTEM



WATER SOURCE OR NON-CARRIER HEAT PUMP



997-015110-3-R 11-808-575-01



Carrier® Connect™ Wi-Fi® Commercial Thermostat

Part #: 33CONNECTSTAT



Quick Start Guide

FREE CONNECT APP AVAILABLE
at www.carrier.com/connectstat

Wi-Fi® is a registered trademark of Wi-Fi Alliance® Corporation.

Android is a registered trademark of Google Inc. / Apple is a registered trademark of Apple Corporation

WHAT'S IN THE BOX



Thermostat



Thermostat Base



Wall Plate



Remote Sensor Pigtail



Anchors and Screws



Security Screw



Quick Start Guide

COMPATIBILITY CHECK

This Wi-Fi® thermostat is designed to work with 24V AC systems requiring both R & C wires. This includes gas, electric, oil, forced air, variable speed, heat pump and radiant heat. It can be configured for:

- › Heating: 1-4 stages (Y1, Y2, W1, W2)
- › Cooling: 1-3 stages (Y1, Y2, *)
- › Dehumidification: cooling only 1-3 stages (Y1, Y2, *) or Carrier's Humidi-MiZer™ adaptive dehumidification system 1-2 stages (Y1, Y2, *)
- › Heat pump: with auxiliary & emergency heat (Y1, Y2, W1, W2, *)
- › Fan Single Speed (G)
- › Power (R, C)
- › Dual fuel systems (heat pump with furnace)
- › Outdoor Air Temperature (OAT) or Remote Sensor (optional)

1. TURN POWER OFF

Turn off 24 VAC power at the equipment circuit breaker or at the system switch. **Confirm that power is OFF.**

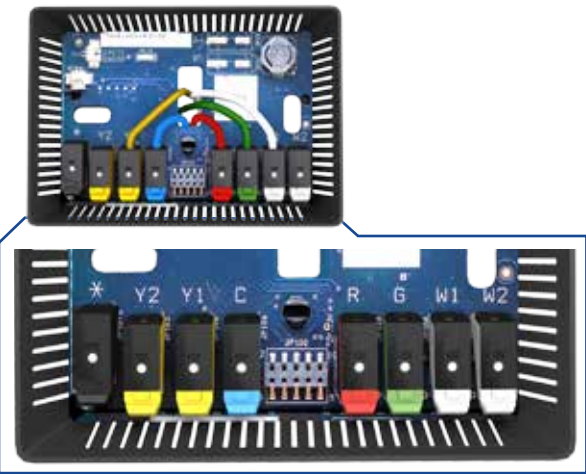
2. INSTALL THERMOSTAT

Position the thermostat base against your wall, and determine if the accessory wall plate is desired to cover horizontal 2 x 4 electrical box if installed., if so install accessory wall plate. Position the thermostat base against your wall (or wall plate if used) and determine if the new screw locations align with prior locations. If base does not align with existing anchor holes, mark new screw locations with a pencil.

Drywall: Drill 3/16" hole for the anchor
Plaster: Drill 7/32" hole for the anchor

Pull wires through opening in base and secure base to the wall using provided screws.

3. CONNECT THE WIRES



Straighten the wires out and match your wire configuration to the terminals of the base. One by one, connect each wire by pushing down on the color coded quick connect tab and inserting the wire into the connector opening; release tab to complete.

5. ATTACH THERMOSTAT FACE

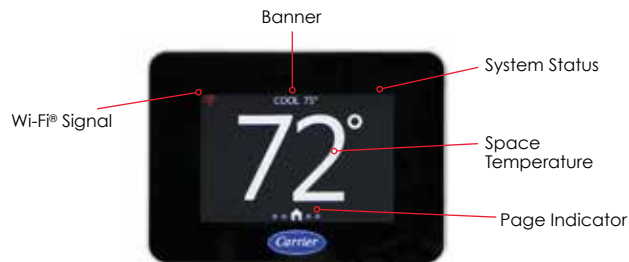


Align the thermostat face using hinge guide on top. Rotate the thermostat down until tab aligns with hole in base. Install security screw if required.

6. RETURN POWER TO SYSTEM

The thermostat will display the Home Screen as shown below:

From the Home Screen, swipe left or right to navigate through screens. A "right swipe" or "left swipe" motion on any of the System Settings "sub-screens" will return to the "System Settings Screen". You may also press the home button to return to the Home Screen at any time.



7. SYSTEM CONFIGURATION

Navigate to the "Mode Screen", ensure that the Mode is set to Off. Go to the "Fan Screen" and press and hold the Fan Button for 5 seconds. Once this sequence is completed, the "System Settings Screen" screen will be displayed allowing configuration & setup of the system. The yellow Row Indicator at the right side of the screen indicates the current location in the list of advanced settings options. Swipe up or down to navigate through the settings options. Tap desired field to enter that settings screen.

8. SETTINGS SCREEN

Navigate from the "Home Screen" to the "Settings Screen". This screen allows access to change / view options in the thermostat. The yellow Row Indicator scrolls up & down through additional rows of settings. When one of the displayed icons is pressed, the appropriate screen will appear.

9. USER APP

The Connect™ App* is available for Apple IOS® at App Store® or at Google Play® for Android devices. Search for "Carrier Connect Thermostat".



Additional installation & operating instructions are available by scanning the QR code shown.

***Note:** Downloading the App provides enhanced access to your device. 7 day programming is only available on your mobile device. Device compatibility requires: Apple IOS 7.0 or later or Android 4.2 or later.

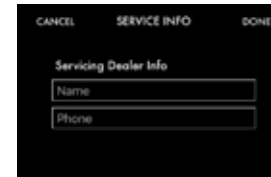
Select USER SETUP and Register New Account



Make sure email used during registration process is accessible on your mobile device to receive confirmation email to complete registration process. Select SETUP NEW THERMOSTAT and follow on screen instructions in the Connect App to setup new thermostat.



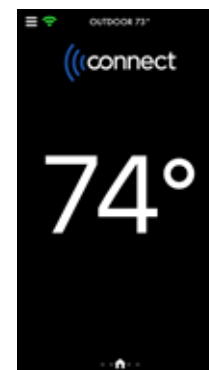
After thermostat is registered successfully SERVICE INFO screen is displayed where servicing contractor info can be entered.



Select thermostat from list. The name of thermostat is listed under DSN (Data Source Name).



The Home screen will now be displayed

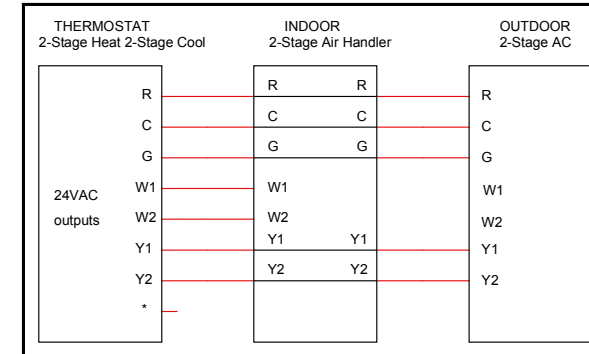
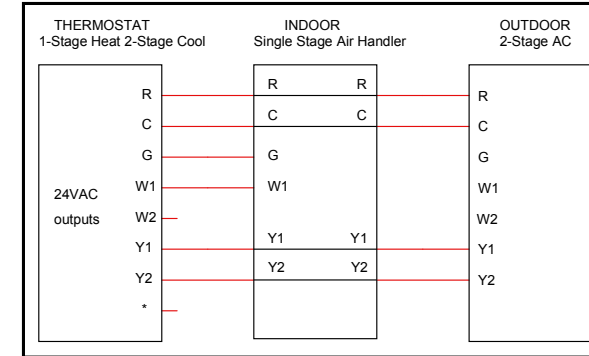
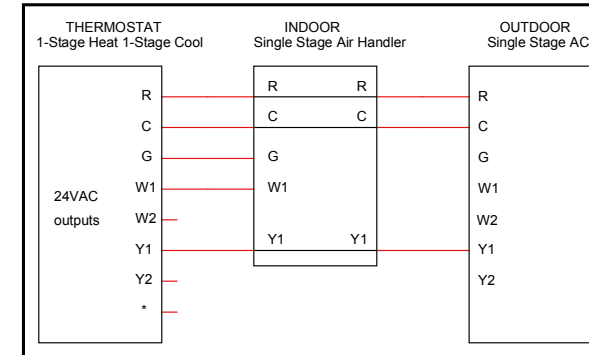


10. WEB PORTAL

To access the Connect™ stat with any device connected to the WEB visit connectstat.carrier.com and create an account.

WIRING DIAGRAMS

AIR HANDLER OR DX FAN COIL / AC SPLIT SYSTEM



PACKAGE ROOFTOP

